

Pressure valves

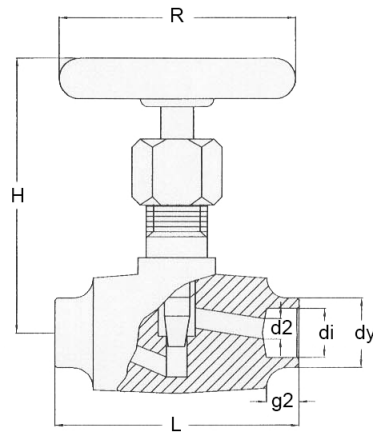
shut-off valve with weld end connection
stainless steel

E 09.01.04

Ed.18.01

Shut-off valve

Inlet with weld end connection
Outlet with weld end connection
Sealing washer of graphite and wheel of pressed steel
Valve body and connection of stainless steel SS 2348



Type	Material	PN	DN	d1	dy	d2	g2	H	L	R	Code
405 S	SS 2348	400	8	8,5	13,5	5	8	85	60	65	40500201
400 S	SS 2348	400	10	12,5	17,2	5	8	85	60	65	40500202
400 S	SS 2348	400	15	16	21,3	5	8	85	60	65	40500203

Pressure rate and temperature

Stainless steel SS2348 - pressure rate PN 400				
Pressure	20 bar	125 bar	160 bar	400 bar
Temp	300°C	200°C	125°C	20°C